

# 1100

## PORTABLE HOSE REELS ON WHEELS

To handle 3/8" through 5/8" I.D. hose.

- Continuous flow reels with swivel joint inlet, fluid hub, outlet riser.
- Comes with cam-lock brake.
- Direct crank rewind.
- One-piece foot, rubber tires, and removable steel handlebar.
- Permanently attached crank.
- Standard inlet 90° ball bearing swivel joint 1/2" female NPT threads.
- Standard outlet is 1/2" female NPT threads.
- GH Prefix to model # (e.g. GH1100) includes garden hose thread on outlet, 5' lead-in hose, hose end clips.
- Pressures to 3000 psi (207 bar).
- Temperatures from +20° F to +400° F (-7° C to +204° C).



GH 1100 Configuration Shown

For:

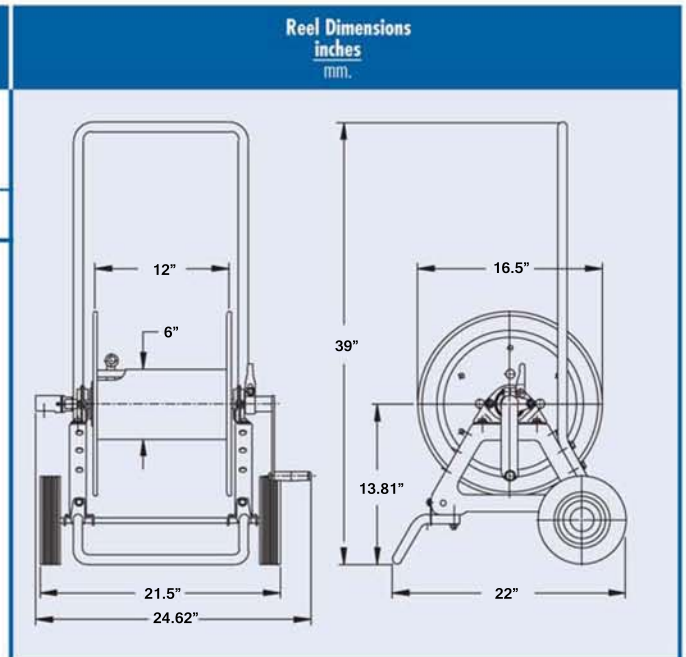
- Grounds Maintenance
- Restaurants/Hotels
- Home Use

### Parts Drawing – ISO 48

Model Number	Hose Capacity of Reel				Approx. Weight	
		feet			NET	SHIP
		m.				
	I.D. (in)	3/8"	1/2"	5/8"		
	I.D. (mm)	10	13	16		
	O.D. (in)	3/4"	7/8"	1"		
	O.D. (mm)	19	22	25		
1100		275	175	125	47	50*
		84	53	38	21	23

#### Notes:

1. Specifications subject to change.
2. **Finish:** refer to Page 4.
3. **Be sure to check dimensions and weights prior to ordering.**
  - \* When shipped as a parcel package (via Fed-Ex or UPS Ground).





GHAT 1200 Configuration Shown

# AT1200

## PORTABLE HOSE REELS ON WHEELS

To handle 1/2" through 1" I.D. hose.

- Continuous flow reels with swivel joint inlet, fluid hub, outlet riser.
- Comes with pneumatic tires and cam-lock drag brake.
- Direct crank rewind.
- One-piece foot, and removable steel handlebar.
- Permanently attached crank.
- Model AT1200 –standard inlet 90° balance pressure swivel joint 1" female NPT threads.
- Standard outlet is 1" female NPT threads.
- GH Prefix to model # (e.g. GHAT1200) includes garden hose thread on outlet, 5' lead-in hose, hose end clips.
- Operates at pressures to 1000 psi.
- Temperatures from -40° F to +250° F (-40° C to +121° C).
- Consult factory for other pressures & temps.

For:

- Grounds Maintenance
- Restaurants/Hotels
- Home Use

### Parts Drawing – ISO 87

Model Number	Hose Capacity of Reel					Approx. Weight		Reel Dimensions inches mm.
		feet	m.			lb.	kg.	
	I.D. (in) I.D. (mm)	1/2" 13	5/8" 16	3/4" 19	1" 25	NET	SHIP	
	O.D. (in) O.D. (mm)	7/8" 22	1" 25	1-9/32" 33	1-9/16" 40			
AT1200		350 107	250 76	150 46	100 30	86 39	91* 41	

#### Notes:

1. Specifications subject to change.
2. **Finish:** refer to Page 4.
3. **Be sure to check dimensions and weights prior to ordering.**  
\*When shipped as a parcel package (via Fed-Ex or UPS Ground)

