

5000

SINGLE WRAP POWER REWIND REELS

To handle single 1-1/2" I.D. through 3" I.D. hose.

- Effortless and fast rewinding, wrapping, guiding of hose.
- Chain and sprocket drive powered by electric, hydraulic, or compressed air motor.
- Auxiliary crank rewind, optional.
- 12 volt rewind, comet brake, reduction unit standard.
- Air brake optional.
- Inlet, hub assembly is aluminum and/or stainless steel for jet fuel.
- Consult factory for other pressures & temps.

Series 5100

- 90° ball bearing swivel joint 1-1/2" female NPT threads, 2" victaulic groove, flanged riser with 1-1/2" female NPT threads.
- Pressures to 600 psi (41 bar).
- Temperatures from -40° F to +175° F (-40° C to +79° C).

Series 5200

- 90° ball bearing swivel joint 2" victaulic groove, flanged riser with 2" female NPT threads.
- Pressures to 150 psi (10 bar).
- Temperatures from -20° F to +225° F (-29° C to +107° C).

Series 5300

- I-hub straight 3" victaulic groove inlet, flanged riser with 3" female NPT threads.
- Pressures to 150 psi (10 bar).
- Temperatures from -20° F to +225° F (-29° C to +107° C).
- Optional 90° ball bearing alum swivel joint 3" victaulic groove, flanged riser with 3" female NPT threads.



Standard Model Shown
(Hose not included)



Standard Configuration
5300 Series



Standard Victaulic Version
I-hub for 5300 Series

5000

Parts Drawing – ISO 197

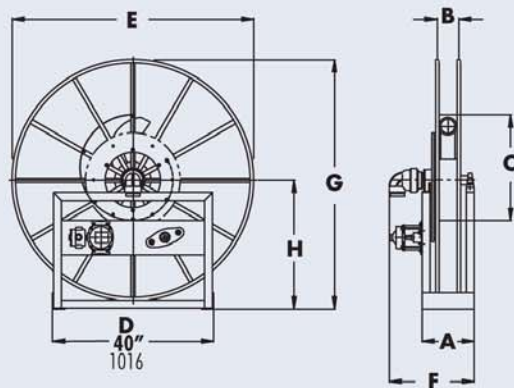
Model Number	Hose Capacity of Reel					Approx. Weight		Reel Dimensions							
	feet m.					lb.	kg.	inches mm.							
	I.D. (in) I.D. (mm)	1-1/2" 38	2" 51	2-1/2" 64	3" 76	NET	SHIP	A	B	C	E	F POWER	F POWER with I-Hub	G	H
5111-48-50-20	50 15	—	—	—	—	310 141	385 175	10.63 270	2.75 70	20 508	48 1219	17.5 445	—	50 1270	26 660
5111-56-58-20	75 23	—	—	—	—	330 150	405 184	10.63 270	2.75 70	20 508	56 1422	17.5 445	—	58 1473	30 762
5111-62-64-20	100 30	—	—	—	—	340 154	415 188	10.63 270	2.75 70	20 508	62 1575	17.5 445	—	64 1626	33 838
5111-72-74-20	130 40	—	—	—	—	350 159	425 193	10.63 270	2.75 70	20 508	72 1829	17.5 445	—	74 1880	38 965
5218-56-58-24	—	50 15	—	—	—	370 168	445 202	11.50 292	3.63 92	24 610	56 1422	19.25 489	—	58 1473	30 762
5218-62-64-24	—	75 23	—	—	—	390 177	465 211	11.50 292	3.63 92	24 610	62 1575	19.25 489	—	64 1626	33 838
5218-70-72-24	—	100 30	—	—	—	400 181	475 215	11.50 292	3.63 92	24 610	70 1778	19.25 489	—	72 1829	37 940
5319-62-64-30	—	—	50 15	50 15	—	400 182	475 216	12.25 311	4.38 111	30 762	62 1575	21.25 540	20.50 521	64 1626	33 838
5319-70-72-30	—	—	75 23	—	—	410 186	485 220	12.25 311	4.38 111	30 762	70 1778	21.25 540	20.50 521	72 1829	37 940
5319-78-80-30	—	—	100 30	—	—	420 191	495 225	12.25 311	4.38 111	30 762	78 1981	21.25 540	20.50 521	80 2032	41 1041

Notes:

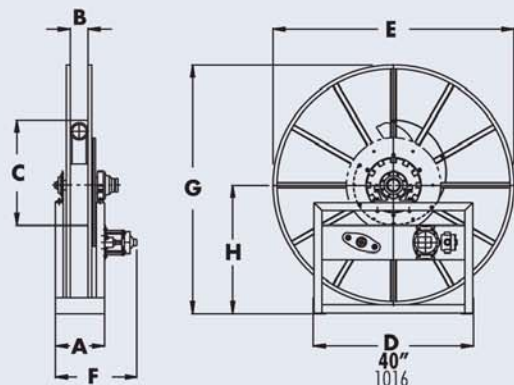
- Specifications subject to change.
- When ordering power rewind models, prefix model number with:
A = Air Rewind EP = Electric Rewind (1/2 HP) HD = Hydraulic Rewind
(Air rewind reels are supplied with control valve and hose;
12v and 24v DC rewind reels are supplied with switch and solenoid;
hydraulic rewind reels are not supplied with control valve.)

3. Be sure to check dimensions and weights prior to ordering.

NOTICE: A Flexible Connector must be used between the inlet pipe and the inlet swivel joint.



Series 5100 and 5200



Series 5300